



**Custom-Built
Dumbwaiters**

About Southeast Elevator

If You Can Dream It, We Can Build It!

Southeast Elevator has been doing business in Florida for more than 26 years and is an innovative leader in residential elevator sales, service, and installation.

We are locally owned and operate from our corporate headquarters located within our 20,000+ sq. ft. facility in Fort Pierce, FL. With locations throughout the state including Riviera Beach, Naples, and Pensacola, we have local install crews and certified service technicians to meet all your elevator needs.

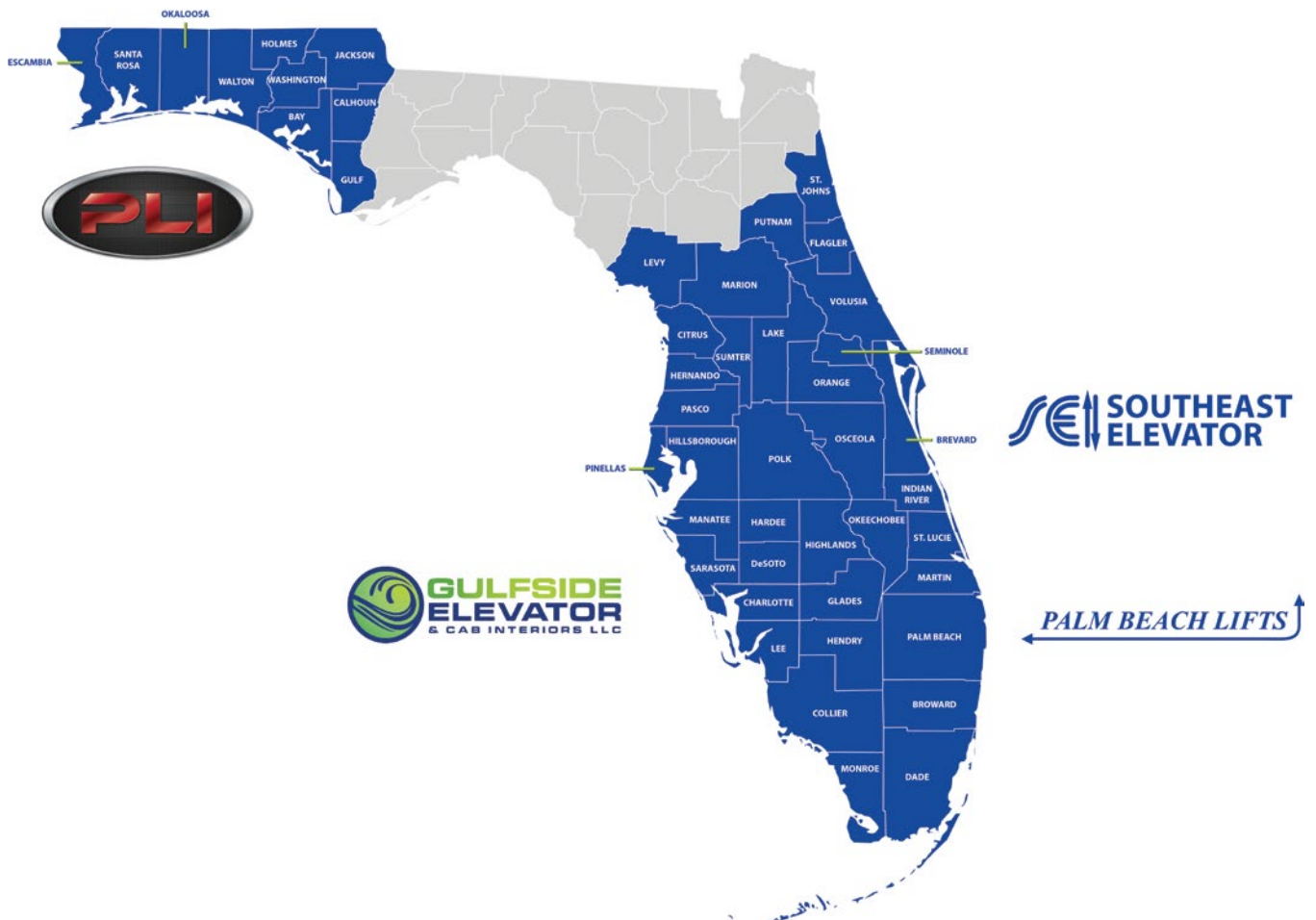
As a full-service provider and manufacturer, we custom build residential elevators for new construction and for the addition to existing homes. Working with Southeast Elevator makes it easy for you!

Given the opportunity, Southeast Elevator's knowledge and products will bring top-shelf quality to your projects. We install indoor elevators, outdoor elevators, wheelchair lifts, and dumbwaiters for residential and commercial use.



Table of Contents

- 1 About Southeast Elevator
- 2 Territory Map
- 3-4 Residential Dumbwaiters
- 5-6 Commercial Dumbwaiters



Residential Dumbwaiter

The **Quick Serve-200** (QS-200) is a residential dumbwaiter designed to quickly and safely transport small cargo between multiple levels of a house.

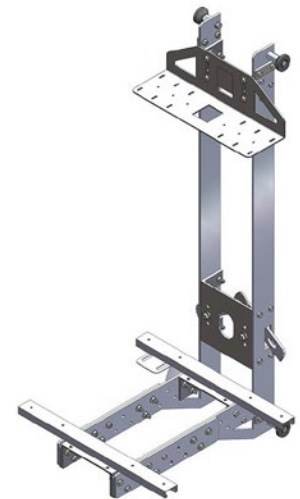
Dumbwaiters are a great solution when space is limited or budget restrictions prohibit the installation of a complete elevator.

Our dumbwaiters are easy to install and utilize “cat5” cables to easily connect the buttons and switches.

In certain jurisdictions, these units can be installed by a homeowner or general contractor who has above-average mechanical skills.

Standard White Laminate Car

- ✓ Very durable and easy to clean
- ✓ Bi-parting doors keep cargo secure
- ✓ Quick and easy to assemble!
- ✓ Custom sizes are available in 1” increments.
(with some limitations)
- ✓ Also available in Oak, Cherry, Mahogany, or Maple plywoods, either unfinished or pre-finished.



To Determine the Size of Your Dumbwaiter:

Reference the size chart and configurations on page 14

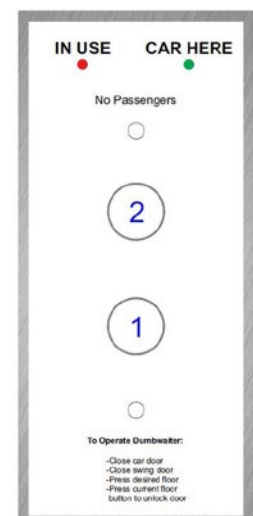
- ✓ Are you building a shaft to fit the dumbwaiter?
- ✓ Or, does the dumbwaiter need to fit an existing shaft?

Next, use the chart in this document to determine shaft width and depth based on desired cab size or vice versa.

We specialize in custom dumbwaiter cab sizes and most likely have already built one for another customer!

Custom sizes are available to the nearest inch. Some restrictions apply due to code restrictions and mechanical limitations.

No extra charge for custom sizes.



Top Motor Mount Best Uses

Flood-prone areas

Low loading heights on the ground floor

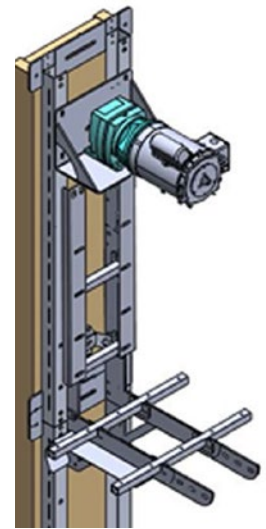
Bottom Motor Mount Best Uses

Overhead restrictions

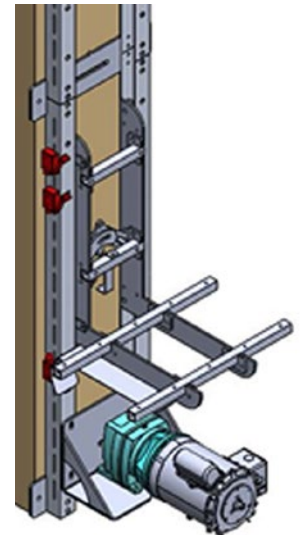
Floor level loading desired at the top floor

Capacity	200 lb (optional 300 lb)
Speed	32 fpm, nominal
Drive	Chain drive, continuous loop, no counterweights
Operation	Automatic operation, manual Doors
Control system	PLC Logic, 24 VDC locks, buttons, switches. 100% plug 'n' play
Door interlocks	Electromechanical, locks hall doors and prevents operation when door is open
Car gate	Bi-parting
Hall doors	Swing style, by Others
Car material and finish	Standard white laminate, optional hardwood veneer or marine grade plastic
Car frame	Aluminum with roller guides and broken cable safeties
Guide rail	Aluminum channel
Standard car size	20"w x 20"d x 30"h
Custom min-max car sizes	Minimum 16"w x 16"d x 30"h
Maximum w/ side rail mount	24"w x 30"d x 30"h
Maximum w/ rear rail mount	30"w x 24d x 36"h
Oversized car option	>24"w, >30"d, up to 36"h = totals up to 21 cubic feet
Travel distance	Up to four landings, max travel 51' required
Machine Mount Location	Top or bottom, access hatch (by Others) required
Electrical requirements	120 VAC, 15 amp circuit
Safety	ETL Listed
Warranty	2 years

Top motor mount



Bottom motor mount



Commercial Dumbwaiter

The **QSC-300** is perfect for commercial projects that require a durable and reliable dumbwaiter to transport goods. Available in stainless steel, these units are designed for the rigors of commercial service.

When paired with a set of Kafka stainless dumbwaiter doors, this is an excellent addition to your restaurant, office building, retail space, and more.

Stainless Steel Cars

304-grade stainless steel, #4 brush finish

Ultimate in durability!

Standard and custom sizes are available!



This unit is not intended to transport human beings or live cargo.

The QS-200 & QSC-300 have a 2-year warranty on all parts and components. See warranty document for further details.

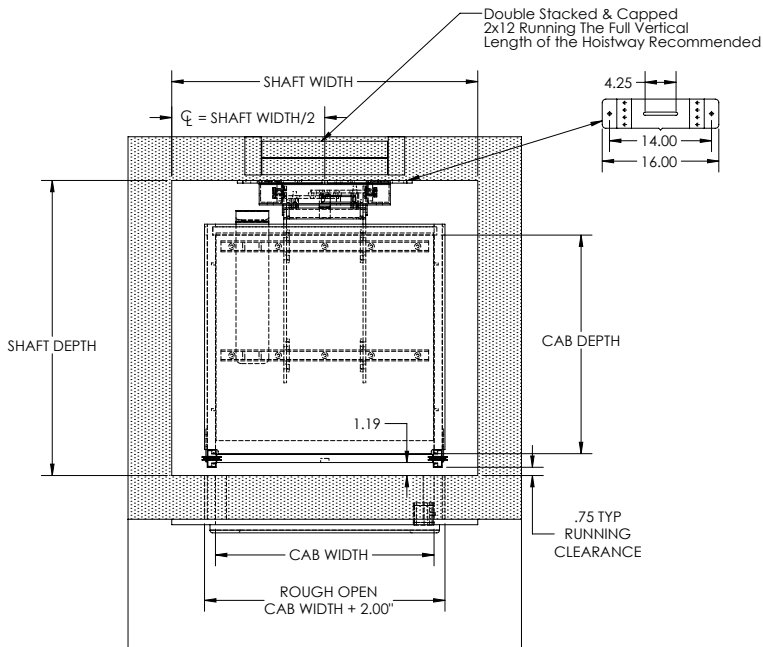
Please email dumbwaiters@PrecisionLiftIndustries.com for information specific to your area.

Modern membrane-style call buttons (similar to those found on microwaves, refrigerators, and ovens) create a simple, clean look that complements most interiors.

Our call/send buttons are easily wiped clean to eliminate the worry of germs or grime on the surface.



ALL DIMENSIONS ARE CLEAR INSIDE TO FINISHED DRYWALL



REAR RAIL CONFIGURATION CHART

CAB WIDTH	MIN SHAFT WIDTH	CAB DEPTH	CRITICAL SHAFT DEPTH
14"	24"	14"	21"-22"
15"	24"	15"	22"-23"
16"	24"	16"	23"-24"
17"	25"	17"	24"-25"
18"	26"	18"	25"-26"
19"	27"	19"	26"-27"
*20"	28"	*20"	27"-28"
21"	29"	21"	28"-29"
22"	30"	22"	29"-30"
23"	31"	23"	30"-31"
*24"	32"	*24"	31"-32"

SIZES OVER 24" REQUIRE 300LB OVERSIZED UPCHARGE

25"	33"	25"	32"-33"
26"	34"	26"	33"-34"
27"	35"	27"	34"-35"
28"	36"	28"	35"-36"
29"	37"	29"	36"-37"
*30"	38"	*30"	37"-38"

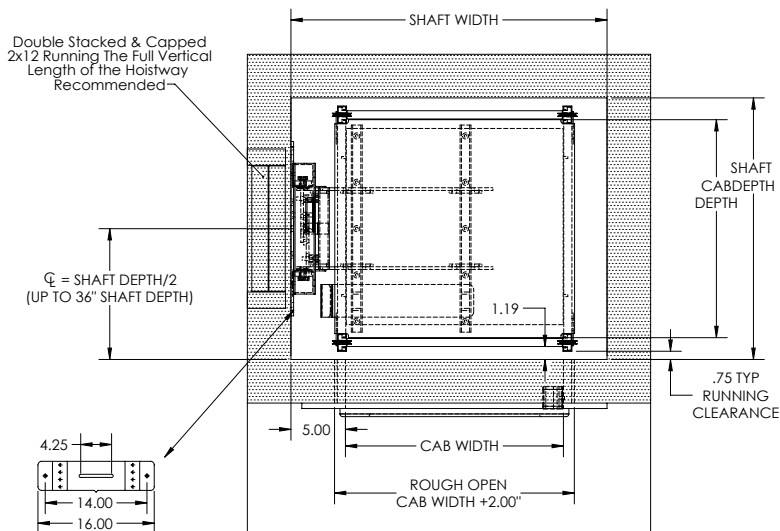
CAB HEIGHTS AVAILABLE IN 30.00" & 36.00"
*STANDARD SIZES

STRONGLY RECOMMEND LEAVING FRONT OF HOISTWAY OPEN AT BOTTOM FLOOR FOR INSTALLATION. ACCESS HATCH RECOMMENDED AT MOTOR LOCATION / MOTOR LOCATION RECOMMENDED AT BOTTOM (TOP OPTIONAL). SHAFT CONSTRUCTION TO MEET ALL LOCAL JURISDICTION REQUIREMENTS.



MODEL	QS-200 DUMBWAITER	NAME	KSB	DATE	2-11-19	PROJECT NAME		
CAPACITY	200 LBS STANDARD / 300LBS OVERSIZE PACKAGE OPTIONAL	DO NOT SCALE DRAWING				PROJECT LOCATION		
SPEED	32 FPM (Nominal)	APPROVAL STATUS:	PROPRIETARY AND CONFIDENTIAL				COMMENTS:	
DRIVE	CHAIN DRIVE GEAR MOTOR	APPROVED	THE INFORMATION CONTAINED IN THIS DRAWING IS THE SOLE PROPERTY OF AMERGLIDE. ANY REPRODUCTION IN PART OR AS A WHOLE WITHOUT THE WRITTEN PERMISSION OF PLI IS PROHIBITED.				Generic	
OPERATION	AUTOMATIC OPERATION, MANUAL DOORS	APPROVED AS NOTED					SCALE 1/8" = 1'-0"	SHEET 1 OF 4
ELECTRICAL REQUIREMENTS	REQUIRES A DEDICATED CIRCUIT, 120VAC, 15AMP OUTLET WITHIN SIGHT OF THE MOTOR.	REVISE AND RESUBMIT					REV.	
CODE	AMSE 17.1.7	SIGNATURE						

ALL DIMENSIONS ARE CLEAR INSIDE TO FINISHED DRYWALL



SIDE RAIL CONFIGURATION CHART

CAB WIDTH	SHAFT WIDTH	CAB DEPTH	MINIMUM FRONT ONLY SHAFT DEPTH	CRITICAL PASS THRU SHAFT DEPTH
14"	24"	-	-	-
15"	24"	-	-	-
16"	24"	-	-	-
17"	25"	17"	22"	21"
18"	26"	18"	23"	22"
19"	27"	19"	24"	23"
*20"	28"	*20"	25"	24"
21"	29"	21"	26"	25"
22"	30"	22"	27"	26"
23"	31"	23"	28"	27"
*24"	32"	*24"	29"	28"

SIZES OVER 24" REQUIRE 300LB OVERSIZED UPCHARGE

25"	33"	25"	30"	29"
26"	34"	26"	31"	30"
27"	35"	27"	32"	31"
28"	36"	28"	33"	32"
29"	37"	29"	34"	33"
*30"	38"	*30"	35"	34"

CAB HEIGHTS AVAILABLE IN 30.00" & 36.00"
*STANDARD SIZES

STRONGLY RECOMMEND LEAVING FRONT OF HOISTWAY OPEN AT BOTTOM FLOOR FOR INSTALLATION. ACCESS HATCH RECOMMENDED AT MOTOR LOCATION / MOTOR LOCATION RECOMMENDED AT BOTTOM (TOP OPTIONAL). SHAFT CONSTRUCTION TO MEET ALL LOCAL JURISDICTION REQUIREMENTS.



MODEL	QS-200 DUMBWAITER	NAME	KSB	DATE	2-11-19	PROJECT NAME		
CAPACITY	200 LBS STANDARD / 300LBS OVERSIZE PACKAGE OPTIONAL	DO NOT SCALE DRAWING				PROJECT LOCATION		
SPEED	32 FPM (Nominal)	APPROVAL STATUS:	PROPRIETARY AND CONFIDENTIAL				COMMENTS:	
DRIVE	CHAIN DRIVE GEAR MOTOR	APPROVED	THE INFORMATION CONTAINED IN THIS DRAWING IS THE SOLE PROPERTY OF AMERGLIDE. ANY REPRODUCTION IN PART OR AS A WHOLE WITHOUT THE WRITTEN PERMISSION OF PLI IS PROHIBITED.				Generic	
OPERATION	AUTOMATIC OPERATION, MANUAL DOORS	APPROVED AS NOTED					SCALE 1/8" = 1'-0"	SHEET 2 OF 4
ELECTRICAL REQUIREMENTS	REQUIRES A DEDICATED CIRCUIT, 120VAC, 15AMP OUTLET WITHIN SIGHT OF THE MOTOR.	REVISE AND RESUBMIT					REV.	
CODE	AMSE 17.1.7	SIGNATURE						



811 Edwards Road Fort Pierce, FL 34982

Phone: 772-461-0030 • Fax: 772-461-9008 • Email: info@seelevator.com
seelevator.com

Divisions of Southeast Elevator



877-770-5862
3605 N. Davis Hwy.
Pensacola, FL 32503



800-735-0490
3573 Plover Avenue
Naples, Florida 34117



561-863-7707
1748 Australian Ave. N, #14
Riviera Beach, Florida 33404

Follow us on social media @SoutheastElevator

